

SPECIFICATIONS

SBV 700 Series High Pressure Ball Valves

September
2007

www.oasisengineering.co.nz

FEATURES

The 700 series ball valve is an all stainless steel certified bar stock, two-piece, serviceable valve.

MAWP = 6000 PSI (410 Bar)

MAWT = 180 ° C

Anti-blowout stem design allows for high pressure operation in long term service.

Bi directional design, reducing service error

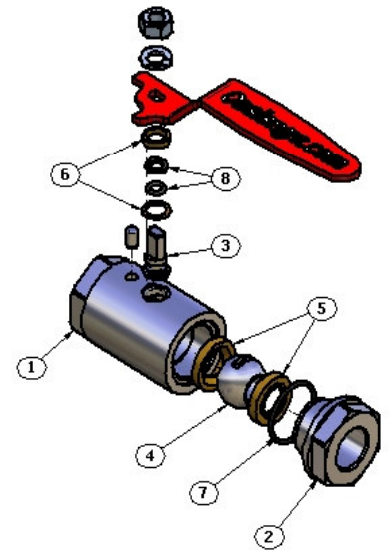
Service kits are readily available.

Fully CNC machined seats ensure minimal but even wear. Floating ball design further reduces seat wear & ensures gas tight seal even after extended service.



MATERIALS

Item	Part	Material
1	Body	T304 Stainless steel *
2	Cap	T304 Stainless steel *
3	Stem	T304 Stainless steel *
4	Ball	T304 Stainless steel *
5	Seats	Delrin AF**
6	Glands and Thrust	Delrin AF**
7	Body O-rings	Nitrile N90
8	Stem O-rings	Nitrile N90



*T316 SS or ** PEEK available on request



Oasis Engineering Ltd
info@oasisengineering.co.nz
Phone +64-7-928-3808 Fax +64-7-928-3809
129 Birch Avenue, Tauranga, New Zealand

SPECIFICATIONS

www.oasisengineering.co.nz

APPLICATIONS

CNG compressors, dispensers,
priority panels, fill panels.

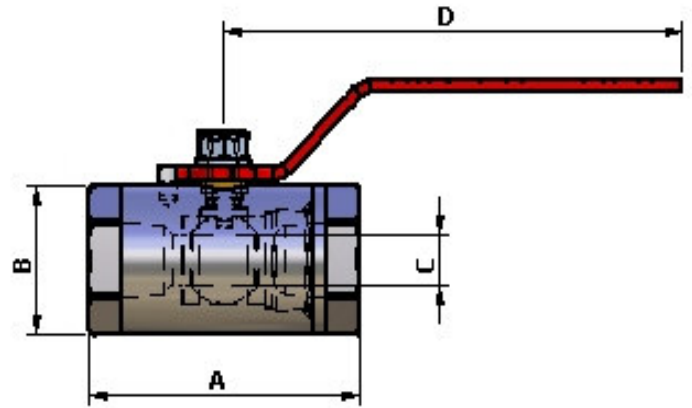
CNG storage

Lockable transport trailer gas
storage

Panel Mounted *

Actuator Mounted *

* Dimensions may vary from below table,
please refer to relevant specification sheets.



DIMENSIONS (mm)

Product Code	A	B	C	D	Cv *	Kv **
SBV702	50	28	7	90	8	6.9
SBV703	59	32	10	125	8	6.9
SBV704	73	38	13	125	8	6.9
SBV706	100	55	20	177	12	10.4
SBV708	108	69	26	177	32	28.1
SBV710	115	75	32	200	49	54.3
SBV712	136	90	38	200	99	122.1

Operating pressure range 800 PSI to
6000 PSI

Burst Pressure > 20000 PSI

NPT is standard quoted thread. SAE,
BSP available or as per customer
request

All Oasis SBV's have been tested for
burst & proof.

Extended handle option's available on
request

All products are manufactured to ISO
9001:2000 standards

* $C_v = \text{USGPM-PSI}$

** $K_v = \text{M}^3/\text{SEC-BAR}$



Oasis Engineering Ltd
info@oasisengineering.co.nz
Phone +64-7-928-3808 Fax +64-7-928-3809
129 Birch Avenue, Tauranga, New Zealand